



A Member of Dr. Aichhorn Group

Ersatzteilliste

spare part list

Blatt/page: 1/2

Revision/version: 0

Datum/date: 28.04.2017

Abrasivkopf TWINJET 6.0mm

Abrasive head TWINJET 6.0mm

SAP Nr./SAP no.: 1200433

Zg. Nr./dwg. no.: TJ-6-0070

| Pos. item | Benennung/ description | SAP-Nr. SAP-no. | Menge piece | Zg. Nr. dwg. nr. | Rev. | Verschleißteil wear part |
|-----------|---|--------------------|----------------|---------------------|------|-----------------------------|
| 1 | Grundkörper/ Basic body | 5102105 | 1 | TJ-6-0069 | 2 | |
| 2 | Einschrauber R1/8"-6mm/ Adapter | 1200431 | 1 | TJ-6-0038 | 1 | |
| 3 | V-Ring Dichtring VS12S NW12/ Sealing NW12 | 4100231 | 1 | | 0 | |
| 4 | Spannmutter / clamping nut | 4101573 | 1 | | 0 | |
| 5 | Spannzange/ Collet | 4101574 | 1 | | 0 | |
| 6 | Dichtring NW6/ Sealing NW6 | 4100427 | 1 | | 0 | |
| 7 | Dichtring NW14/ Sealing NW14 | 4100941 | 1 | | 0 | |
| 8 | HM-Büchse ø11,5mm/ HM-Bushing ø11,5mm | 4100692 | 1 | | 0 | X |
| 9 | Innensechskantschraube M4 x 10/ hexagon socket screw M4 x 10 | 4101281 | 1 | | 0 | |

Serienzeichnung

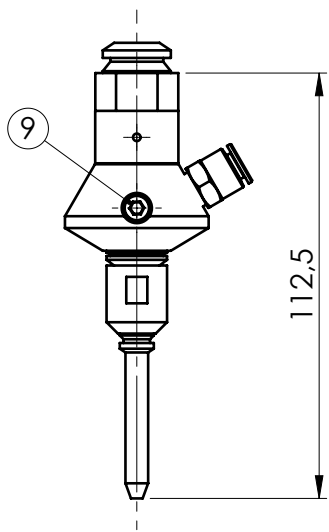
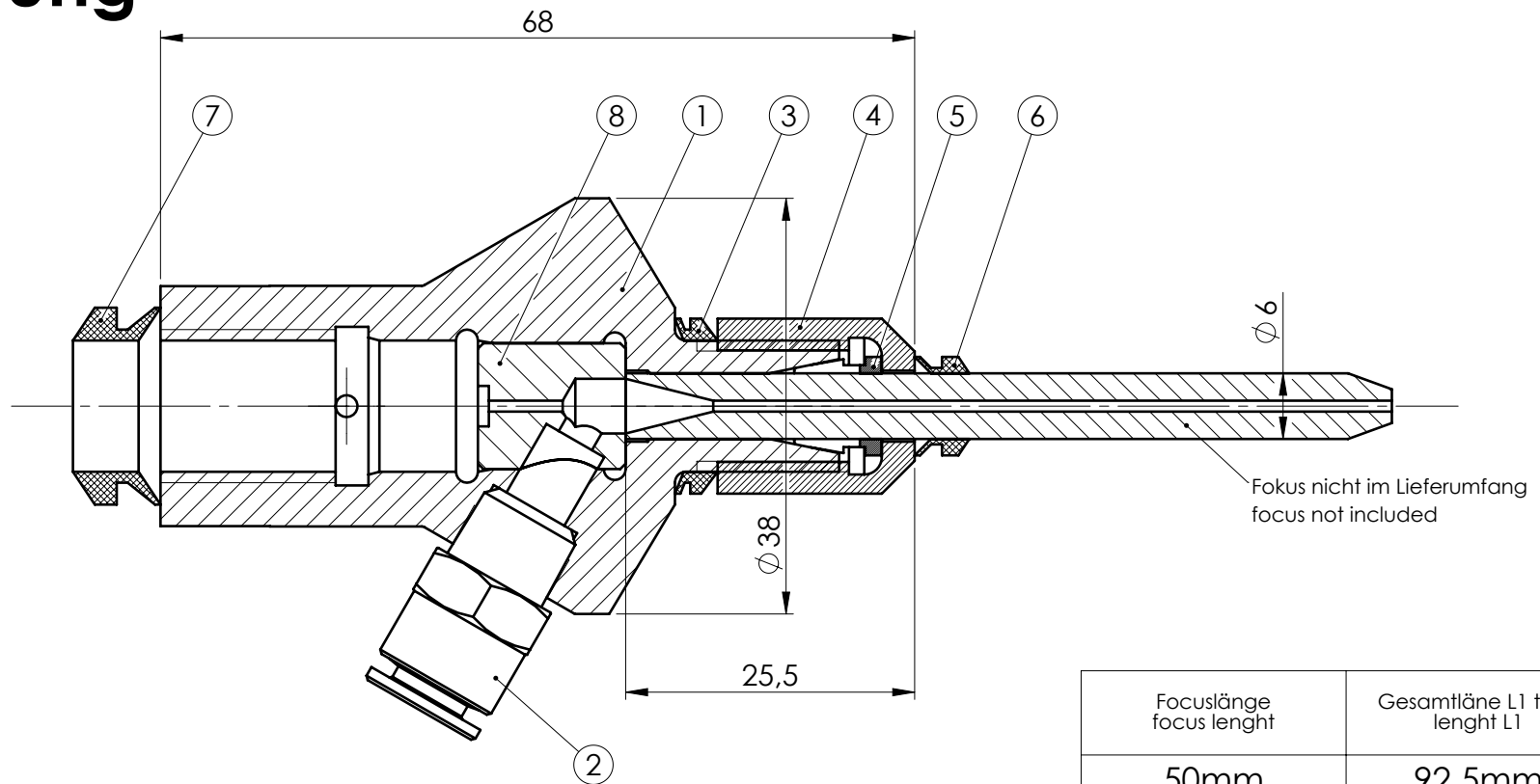
28.04.2017 10:12:39

4


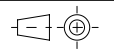
3

2

1



| Focuslänge focus length | Gesamtlänge L1 total length L1 |
|----------------------------|-----------------------------------|
| 50mm | 92,5mm |
| 70mm | 112,5mm |

| | | | | |
|---|-------------------------------|-------------------------|--|---|
| Zulässige Abweichungen von Maßen ohne Toleranzangabe nach Tolerance of measures without indication according: DIN ISO 2768-m DIN EN ISO 13920 - CF | | Gewicht/weight kg |  BFT GmbH Industriepark 24 A-8682 Höfnigsberg info@bft-pumps.com www.bft-pumps.com | Maßstab scale 2:1 A4 |
| gezeichnet/drawn | Datum/date 12.12.2011 | Name/name Stühlinger | | Zeichnungs-Nr./drawing No. TJ-6-0070 |
| genehmigt/approved | Datum/date 12.12.2011 | Name/name Retschnik | Material SAP Nr./Material SAP No. 1200433 | Blatt/page 2/2 |
| Benennung/Description Abrasivkopf TWINJET 6.0mm Abrasive head TWINJET 6.0mm | | | <input type="radio"/> Verschleißteil/Wearpart |  |
| Dieses Dokument wurde elektronisch signiert. / This document was electronically signed. Das Original ist im Dokumentenmanagementsystem archiviert. / The original is archived in the document management system. | | | | |
| Private Information: This document contains BFT GmbH legal entity proprietary and confidential information that is legally privileged and is intended only for the person or entity to which it is addressed and any unauthorised use is strictly prohibited. It is provided for limited purpose and shall not be reproduced, stored electronically, transferred to other documents, disseminated or disclosed to any third parties without the prior written consent of the relevant BFT GmbH legal entity. Any attachments are subject to the specific restrictions and confidentiality regulations stated therein and shall be treated accordingly. The document is to be returned upon request and in all events upon completion of use for which it was provided. | | | | |
| Rev. | Änderungsnr./ revisionsno. | Datum/ date | gezeichnet/ drawn | genehmigt/ approved |
| Änderungen/Revisions | | | | |

A B C D E F