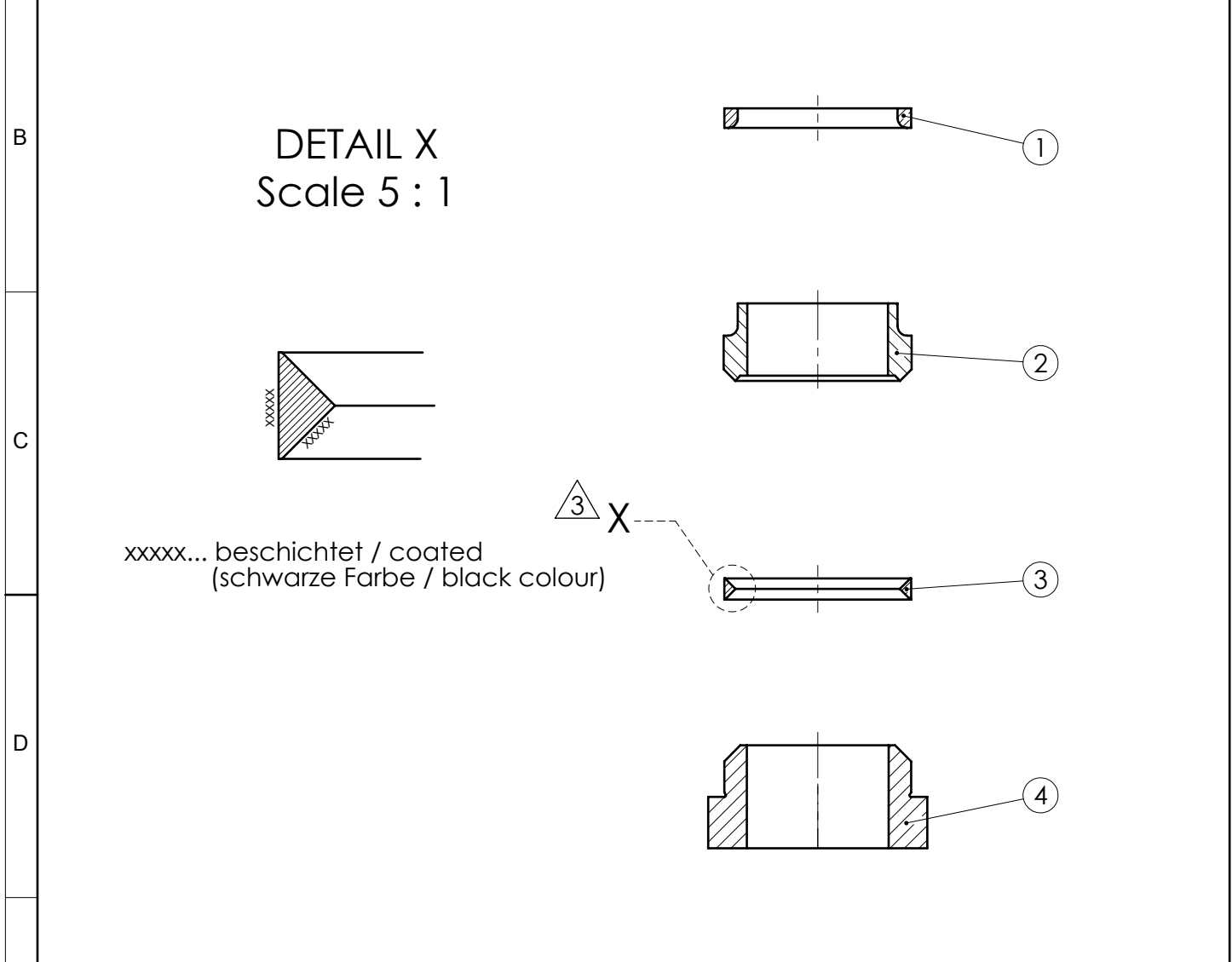


	1	2	3	4			
	Pos. item	Benennung/ description	SAP-Nr. SAP-no.	Menge piece	Zg. Nr. dwg. nr.	Rev.	Verschleißteil wear part
A	1	Quadring/ quadring	4100028	1	CP-22-0103	0	X
	2	Dichtring/ sealing	4101453	1	CP-22-0011	0	X
	3	Stützring/ back ring	5102059	1	CP-22-0012	4	X
	4	Lagerbüchse/ bearing bush	5200615	1	CP-22-0010	4	X


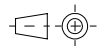


3	500000002061	20.07.2020	Lenes	Christiner
1	500000001200	05.06.2018	Pflanzl	Christiner
Rev.	Änderungsnr./ revisionsno.	Datum/ date	gezeichnet/ drawn	genehmigt/ approved

Änderungen/Revisions

Serienzeichnung

20.07.2020 13:34:32

Zulässige Abweichungen von Maßen ohne Toleranzangabe nach Tolerance of measures without indication according: DIN ISO 2768-m DIN EN ISO 13920 - CF		Gewicht/weight 0.05kg	 BFT GmbH Industriepark 24 A-8682 Hönigsberg info@bft-pumps.com www.bft-pumps.com	Maßstab scale 1:1 A4
Datum/date		Name/name		
gezeichnet/drawn	13.03.2012	Pusterhofer		Zeichnungs-Nr./drawing No. CP-22-0100
genehmigt/approved	13.03.2012	Retschnik		Revision 3
Benennung/Description HD-Dichtungspaket		Material SAP Nr./Material SAP No. 1100144		Blatt/page 1/1
hp-sealing set		<input checked="" type="checkbox"/> Verschleißteil/Wear part		

Dieses Dokument wurde elektronisch signiert. / This document was electronically signed.
Das Original ist im Dokumentenmanagementsystem archiviert. / The original is archived in the document management system.

Private Information: This document contains BFT GmbH legal entity proprietary and confidential information that is legally privileged and is intended only for the person or entity to which it is addressed and any unauthorised use is strictly prohibited. It is provided for limited purpose and shall not be reproduced, stored electronically, transferred to other documents, disseminated or disclosed to any third parties without the prior written consent of the relevant BFT GmbH legal entity. Any attachments are subject to the specific restrictions and confidentiality regulations stated therein and shall be treated accordingly. The document is to be returned upon request and in all events upon completion of use for which it was provided.